

Lightology

lightology.com
866-954-4489
05-17-26

Project: _____
Company: _____
Location: _____ Fixture Type: _____
SPEC #: **CER752118**
Approved On: _____ Approved By: _____

Via Incandescent Wall Sconce By Cerno

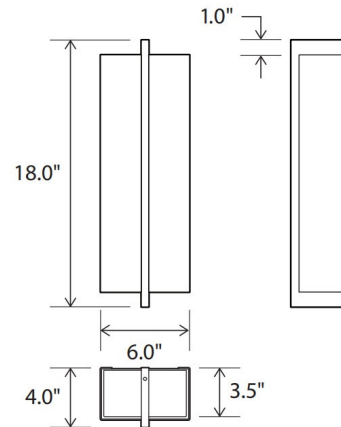


Description

The Via Flush Mount Sconce offers a sleek and sophisticated look that has an understated geometric nature to it, featuring a rectangular Frosted polymer diffuser bisected with a Walnut or Dark Stained Walnut wood panel. Made in the USA. UL and CUL listed. ADA compliant.



Shown in walnut / frosted



Specifications

COLOR	Frosted
BODY FINISH	Walnut
WATTAGE	20W
DIMMER	Standard 120V
DIMENSIONS	6"W x 18"H x 4"D
BULB NOT INCLUDED	2 x B10/Candelabra (E12)/10W/120V LED
COUNTRY OF ORIGIN	United States

Technical Information

LAMP COLOR	2700K
------------	-------



CLICK TO VIEW PRODUCT

Notes: