

Lightology

lightology.com
866-954-4489
07-09-26

Project: _____

Company: _____

Location: _____ Fixture Type: _____

SPEC #: **WAC768049**

Approved On: _____ Approved By: _____

Power Stake Landscape Accessory By WAC Lighting

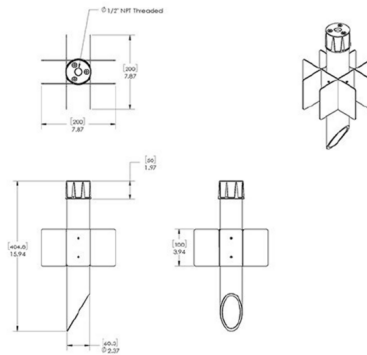


Description

The Power Stake Landscape Accessory features a die-cast aluminum cap with PVC pipe body. Designed for use with 120 volt and 12 volt WAC Lighting landscape lighting.



Shown in black



Specifications

COLOR	N/A
BODY FINISH	Black
WATTAGE	N/A
DIMMER	N/A
DIMENSIONS	2.37"W x 15.94"H
BULB	N/A



CLICK TO VIEW PRODUCT

Notes: