



**BRAND**

WAC Lighting

**DESCRIPTION**

Aether 2 inch Round LED Shallow Housing Downlight Trim was designed to fit in tight plenum spaces with complex HVAC ducts, sprinkler pipes, and conduit runs without sacrificing lumen output. Die-cast aluminum trim with extruded aluminum heat sink. 2 inch trim aperture and housing height. 35 degree cut-off angle. 0-25 degree vertical and 360 degree horizontal adjustment. Available in a Brushed Nickel or powder-coated White finish. Dimmable to 0% with 0-10V dimmers (120 & 277V) or to 10% with low-voltage electronic dimmers (120V only). Choice of 85 or 90 CRI; 2700K, 3000K, 3500K, or 4000K color temperature; and 40 degree (flood) or 22 degree (narrow flood) beam angle. Accommodates ceiling thickness of 0.5-1 inches. 5 year WAC Lighting warranty. UL listed. Energy Star. Suitable for wet locations. A complete fixture includes a housing and trim, sold separately. Note: 90CRI option is only available in 2700K and 3000K.

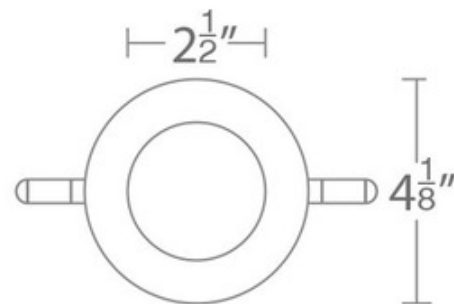
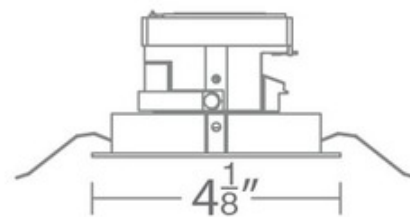


<b>TRIM COLOR</b>	N/A
<b>BODY FINISH</b>	White
<b>WATTAGE</b>	15W
<b>DIMMER</b>	Low Voltage Electronic
<b>DIMENSIONS</b>	4.13"W x 2"H
<b>INTEGRATED LED MODULE</b>	
<b>LAMP</b>	1 x LED/15W/120V LED

*Technical Information*

<b>LUMINOUS FLUX</b>	1080 lumens
<b>LUMENS/WATT</b>	72.00
<b>LAMP COLOR</b>	2700K
<b>COLOR RENDERING</b>	90 CRI
<b>BEAM ANGLE</b>	22°
<b>LAMP LIFE</b>	50000 hours
<b>FUNCTION</b>	Adjustable Accent
<b>APERTURE SHAPE</b>	Round

**SPEC #** WAC768219



COMPANY

PROJECT

FIXTURE TYPE

APPROVED BY

DATE

---