

Lightology

lightology.com
866-954-4489
04-21-26

Project: _____
 Company: _____
 Location: _____ Fixture Type: _____
 SPEC #: **WAC768521**
 Approved On: _____ Approved By: _____

Aether 2 inch Square Downlight Trim By WAC Lighting



Description

Aether 2 Inch Square Downlight Trim features die-cast aluminum construction in Brushed Nickel finish, or powder-coated White finish with a White, Haze, or Black reflector. Compatible with a shallow housing designed to fit in tight plenum spaces with complex HVAC ducts, sprinkler pipes, and conduit runs. Dimmable to 0% with 0-10V dimmers (120 & 277V) or to 10% with low-voltage electronic dimmers (120V only). Choice of 85 or 90 CRI; 2700K, 3000K, 3500K, or 4000K color temperature; and 17 degree (spot), 24 degree (narrow flood), 40 degree (flood), or 50 degree (wide flood) beam angle. 35 degree cutoff angle for downlight. 2 inch trim aperture and housing height. Accommodates ceiling thickness of 0.5-1 inch. 5 year WAC Lighting warranty. UL listed. Energy Star. Suitable for wet locations. Title 24 Compliant. A complete fixture includes a housing and trim, sold separately. Note: 90CRI option is only available in 2700K and 3000K.

Specifications

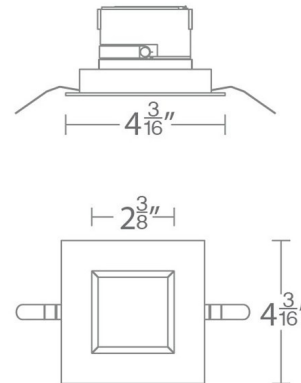
REFLECTOR/BAFFLE COLOR	N/A
BODY FINISH	White / Black Reflector
WATTAGE	15W
DIMMER	Low Voltage Electronic
DIMENSIONS	4.18"W x 2"H
INTEGRATED LED MODULE	1 x LED/15W/120V LED

Technical Information

APERTURE SIZE	2.000"
APERTURE SHAPE	Square
FUNCTION	Downlight
LAMP LIFE	50000 hours
BEAM ANGLE	40°
COLOR RENDERING	90 CRI
LAMP COLOR	2700K
LUMENS/WATT	67.00
LUMINOUS FLUX	1005 lumens



Shown in white / black reflector



CLICK TO VIEW PRODUCT

Notes: