

# Lightology

lightology.com  
866-954-4489  
06-04-26

Project: \_\_\_\_\_  
 Company: \_\_\_\_\_  
 Location: \_\_\_\_\_ Fixture Type: \_\_\_\_\_  
 SPEC #: **WAC769025**  
 Approved On: \_\_\_\_\_ Approved By: \_\_\_\_\_

## Aether 2 inch Square Adjustable Downlight with Trim By WAC Lighting



### Description

The Aether 2 Square Adjustable Downlight with Trim is compatible with a shallow housing designed to fit in tight plenum spaces with complex HVAC ducts, sprinkler pipes, and conduit runs. Available in a 26 or 40 degree beam angle and a variety of color temperature options with 85 or 90 CRI. 0-30 degree adjustable range. Note: 90 CRI available in 2700K and 3000K color temperature options only. A complete fixture requires a trim and housing, sold separately. Dimming: 100% - 5% with Electronic Low Voltage (ELV)/ TRIAC, 100% - 5% with 0-10VDamp Location Trims (no lens): 0-30 vertical and 365 horizontal adjustment Wet Location Trims (with lens): 0-25 vertical and 365 horizontal adjustment

### Specifications

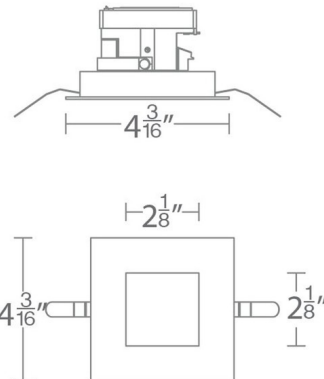
REFLECTOR/BAFFLE COLOR	N/A
BODY FINISH	White
WATTAGE	15W
DIMMER	Low Voltage Electronic
DIMENSIONS	4.13"W x 2"H
INTEGRATED LED MODULE	1 x LED/15W/120-277V LED

### Technical Information

PRODUCT DIMENSIONS	Ceiling Thickness: .50 - 1"
APERTURE SIZE	2.000"
APERTURE SHAPE	Square
CEILING TYPE	Drywall with Trim
FUNCTION	Adjustable Accent
LAMP LIFE	65000 hours
BEAM ANGLE	40°
COLOR RENDERING	85 CRI
LAMP COLOR	2700K
LUMENS/WATT	85.33
LUMINOUS FLUX	1280 lumens



Shown in white



CLICK TO VIEW PRODUCT

Notes: