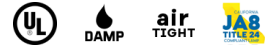


Lightology

lightology.com
866-954-4489
07-14-25

Project: _____
 Company: _____
 Location: _____ Fixture Type: _____
 SPEC #: **WAC769371**
 Approved On: _____ Approved By: _____

Silo Multiples Adjustable Spot Trim and Housing By WAC Lighting



Description

Silo Multiples Trimmed Retractable, Adjustable Spot Lights feature continuously adjustable beam angle between 15 and 45 degrees. Independently adjustable and retractable heads. 365 degree horizontal rotation and 180 degree vertical aiming. Die-cast aluminum head with rotatable front face. Steel housing and trim. Accommodates 0.5-1 inch ceiling thickness. Available in electrostatically powder coated Black with Black trim, White with White trim, or Black with White trim. Choice of 2700K, 3000K, 3500K, or 4000K color temperature and 10 or 14 watt output per head. 1, 2, 3, or 4 lights. Complete fixture- includes trim and new construction housing.

Specifications

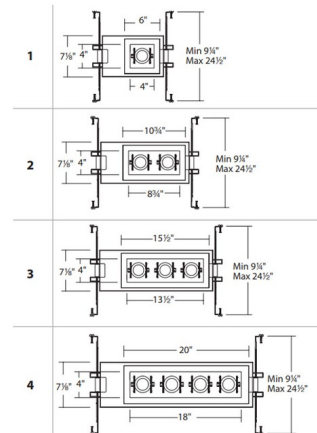
REFLECTOR/BAFFLE COLOR	N/A
BODY FINISH	Black
WATTAGE	20W
DIMMER	Low Voltage Electronic
DIMENSIONS	7.13"W x 6"H
INTEGRATED LED MODULE	2 x LED/10W/120V LED

Technical Information

APERTURE SIZE	4.000"
APERTURE SHAPE	Round
HOUSING HEIGHT	6"
HOUSING TYPE	New Construction NON IC
LAMP LIFE	50000 hours
BEAM SPREAD	Adjustable
COLOR RENDERING	90 CRI
LAMP COLOR	4000K
LUMENS/WATT	175.00
LUMINOUS FLUX	1750 lumens



Shown in black



CLICK TO VIEW PRODUCT

Notes: