



DESIGNER

POOL

BRAND

CVL Luminaires

DESCRIPTION

The graphic Cercle et Trait Linear Suspension is as light as it looks and is held together in clever counterbalance. This is a mobile pendant and can swivel if exposed to moving air. Dimmable via Triac dimming. Note: Only the 69.1 in. size is UL listed and rated for damp locations. The 48.4 in. size is not UL listed and only suitable for dry locations.



Shown in: Satin Graphite

SHADE COLOR	N/A
BODY FINISH	Satin Graphite
WATTAGE	19W
DIMMER	Standard 120V
DIMENSIONS	69.1"L x 23.6"W x 23.6"H
INTEGRATED LED MODULE	
LAMP	1 x LED/19W/24V LED

Technical Information

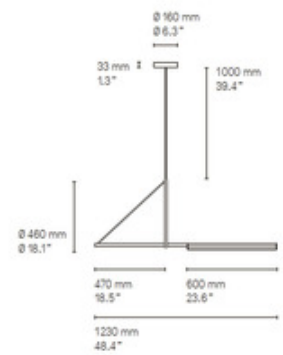
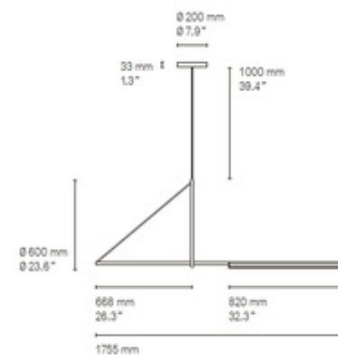
LUMINOUS FLUX	1400 lumens
LUMENS/WATT	73.68
LAMP COLOR	2700K
PRODUCT DIMENSIONS	Overall Height: 64.3"

SPEC # CVL769951

Cercle & trait XL



Cercle & trait XS



COMPANY

PROJECT

FIXTURE TYPE

APPROVED BY

DATE