



DESIGNER Marco Pagnocelli/Icône Lighting
BRAND ZANEEN design

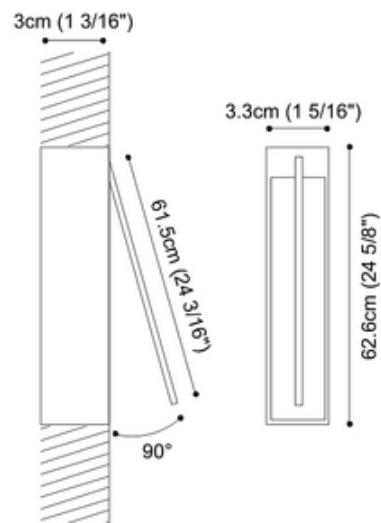
DESCRIPTION

The Spillo 25 Inch 1-Rod built-in flush wall or ceiling lamp with a 90 degree tilt adjustable drawn brass rod. Includes 120 volt input/12 volt output high luminous efficiency LED micro-strip. Remodel Non-IC housing is for use in non-insulated areas or where insulation is at least 3 inches from fixture. Minimum recessed depth: 1 3/16 inch. CSA certified, listed to UL & CSA standards. Required remote power supply unit and wall housing, sold separately.



Shown in: Black

TRIM COLOR	N/A
BODY FINISH	Black
WATTAGE	7.92W
DIMMER	Not Dimmable
DIMENSIONS	1.31"W x 24.63"H x 1.19"D
LAMP	1 x LED/7.92W/12V LED
<i>Technical Information</i>	
LUMINOUS FLUX	660 lumens
LUMENS/WATT	83.33
LAMP COLOR	3000 K
CEILING TYPE	Drywall Trimless/Flush
HOUSING TYPE	Remodel NON IC
HOUSING HEIGHT	3"
APERTURE SHAPE	Rectangular
ITEM NUMBER	ZAN776540



COMPANY	PROJECT	FIXTURE TYPE	APPROVED BY	DATE