

# Lightology

lightology.com  
866-954-4489  
04-05-26

Project: \_\_\_\_\_  
 Company: \_\_\_\_\_  
 Location: \_\_\_\_\_ Fixture Type: \_\_\_\_\_  
 SPEC #: **VIB778104**  
 Approved On: \_\_\_\_\_ Approved By: \_\_\_\_\_

## Palma Pendant By Vibia



### Description

The Palma Pendant brings the origin of beautiful gardens indoors. It introduces flora combined with lighting, aimed at creating a sense of well-being, calm and cheerfulness into our daily environments. Minimal shapes and materials combine the organic and the immateriality of light. Opal blown glass spheres are complemented by a Matte Graphite finish. Driver included 120-277V. Plant not included. UL listed

### Specifications

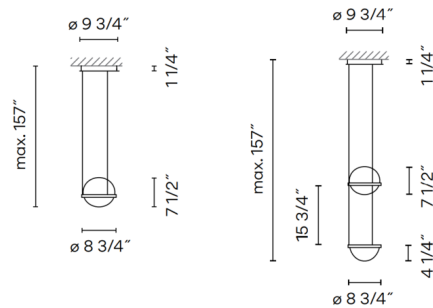
COLOR	Opal
BODY FINISH	Matte Graphite
WATTAGE	9.2W
DIMMER	0-10V
DIMENSIONS	8.75"W x 15.75"H
INTEGRATED LED MODULE	2 x LED/4.6W/120-277V LED
COUNTRY OF ORIGIN	Spain

### Technical Information

PRODUCT DIMENSIONS	Maximum Overall Height: 157"
COLOR RENDERING	90 CRI
LAMP COLOR	2700K
LUMENS/WATT	188.70
LUMINOUS FLUX	868 lumens



Shown in matte graphite / opal



CLICK TO VIEW PRODUCT

Notes: