



**DESIGNER** ED Ellen DeGeneres  
**BRAND** Visual Comfort Studio

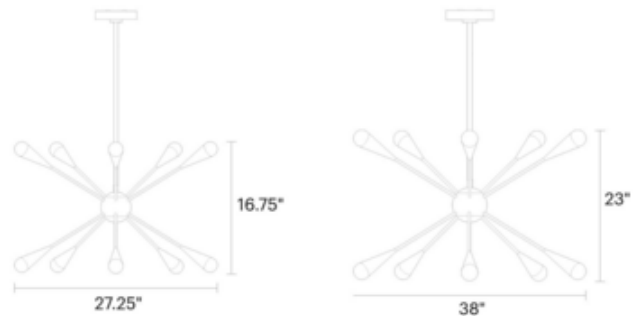
**DESCRIPTION**

The sputnik-inspired Jax Chandelier features a Polished Nickel, Burnished Brass, or Midnight Black with Burnished Brass finish. Available with ten or twelve lights. Slope ceiling hardware included allowing installation on slope of up to 23 degrees. Canopy: 5.5 inch diameter. ETL listed. Suitable for damp locations. NOTE: Polished Nickel no longer available in 10 light version.



*Shown in: Midnight Black / Burnished Brass*

<b>SHADE COLOR</b>	N/A
<b>BODY FINISH</b>	Midnight Black / Burnished Brass
<b>WATTAGE</b>	600W
<b>DIMMER</b>	Standard 120V
<b>DIMENSIONS</b>	27.25"W x 16.75"H
<b>BULB NOT INCLUDED</b>	
<b>LAMP</b>	10 x G16.5/Candelabra (E12)/60W/120V Incandescent 10 x G16.5/Candelabra (E12)/120V LED
<i>Technical Information</i>	
<b>PRODUCT DIMENSIONS</b>	Downrods: One 6" and Four 12" Included
<b>SPEC #</b>	VCS779769



COMPANY	PROJECT	FIXTURE TYPE	APPROVED BY	DATE