

Poldina Rechargeable Table Lamp



Description:

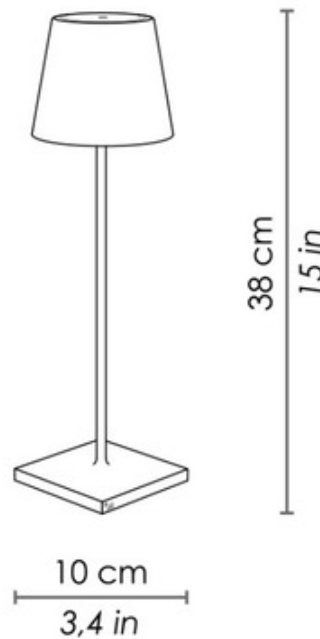
The Poldina Rechargeable Table Lamp is constructed of aluminum and polycarbonate and is available in 6 painted and 3 metallic leaf finishes. The LED light source provides diffused illumination through Poldina's polycarbonate diffuser. IP54 protection makes Poldina ideal for indoor or outdoor use. Battery life guaranteed for more than 9 hours. Suitable for residential and hospitality use. Silver, Gold, and Copper metallic leaf finishes are NOT suitable for outdoor use.

Shown in: White

List Price: \$190.13
 Our Price: \$136.89

Shade Color: N/A
 Body Finish: White
 Lamp: 1 x 2.2W LED
 Wattage: 2.2W
 Dimmer: Not Dimmable
 Dimensions: 3.4"W x 15"H

Technical Information
 Luminous Flux: 154 lumens
 Lumens/Watt: 70.00
 Lamp Color: 3000 K
 Color Rendering: 80 CRI



Product Number: AIL779819			
Company:		Fixture Type:	Date: Oct 17, 2019
Project:		Approved By:	

Fax: (773) 883-6131

Phone: 866-954-4489

Address: 1718 W. Fullerton Ave. Chicago IL 60614

www.Lightology.com