



DESIGNER

Gregory Kay

BRAND

PureEdge Lighting

DESCRIPTION

The Delta 24VDC Warm Dim LED Track Head is available with 6.9 watt 24VDC LED module in Warm Dim (3000K-1800K) color temperature. Features reflector with Spot (SP) 20 degree or Flood (FL) 40 degree beam spread options. Reflector may be changed at the job site. Fixture design is of a flat-back cone heat sink that swivels 90 degrees vertically and 360 degrees horizontally. Compatible with PureEdge TruTrack Recessed Track (TR24-1C, TR24-2C), Pipeline Systems including Modular Suspension, Pipeline Track Suspensions and Pipeline Stem Mount Wall/Display (P1SDM, PT, PSTU2CR,PSTU2CR) and Surface Mount track (TS24-1C) Note: Limited quantities available.



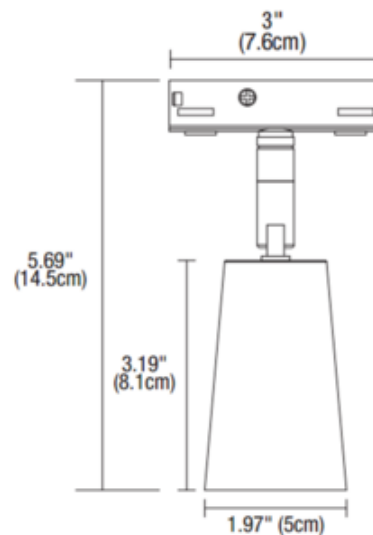
Shown in: Black

SHADE COLOR	N/A
BODY FINISH	Black
WATTAGE	6.9W
DIMMER	Low Voltage Electronic
DIMENSIONS	1.97"W x 5.69"H
INTEGRATED LED MODULE	
LAMP	1 x LED/6.9W/24V LED

Technical Information

LUMINOUS FLUX	545 lumens
LUMENS/WATT	78.99
LAMP COLOR	3000K Warm Dim
COLOR RENDERING	95 CRI
BEAM ANGLE	20°

SPEC # EDG780633



COMPANY	PROJECT	FIXTURE TYPE	APPROVED BY	DATE