

Lightology

lightology.com
866-954-4489
04-25-26

Project: _____
 Company: _____
 Location: _____ Fixture Type: _____
 SPEC #: **EDG780652**
 Approved On: _____ Approved By: _____

T24 Radiant Large Track Head 24VDC

By PureEdge Lighting



Description

The Radiant Large 24VDC LED Track Head features a stealth flat-back cylinder design with a radiant heat sink that swivels 90 degrees vertically and 360 degrees horizontally. Offered in two powder paint finishes with a variety of color temperature options including Warm Dim (3000K-1800K). Integral 24VDC LED module and a reflector with Narrow Spot (NS) 10 degree, Spot (SP) 20 degree, Narrow Flood (NF) 35 degree, Flood (FL) 45 degree, or Wide Flood (WF) 60 degree beam spread options. Reflector may be changed at the job site with optional optic reflector. Required track system sold separately (see track system for components). Note: Warm Dim available in Narrow Spot and Spot beam options only. Compatible with TruTrack Recessed Track (TR24-1C, TR24-2C), Pipeline Systems including Modular Suspension, Pipeline Track Suspensions and Pipeline Stem Mount Wall/Display (P1SDM, PT, PSTU2CR, PSTU2CR) and Surface Mount track (TS24-1C)

Specifications

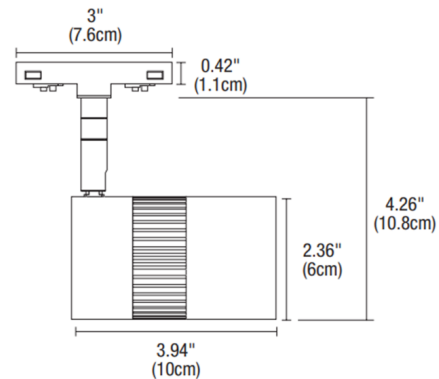
COLOR	N/A
BODY FINISH	White
WATTAGE	14W
DIMMER	Low Voltage Electronic
DIMENSIONS	2.36"W x 5.1"H
INTEGRATED LED MODULE	1 x LED/14W/24V LED

Technical Information

LAMP LIFE	50000 hours
BEAM ANGLE	20°
COLOR RENDERING	97 CRI
LAMP COLOR	3000K Warm Dim
LUMENS/WATT	56.21
LUMINOUS FLUX	787 lumens



Shown in white



CLICK TO VIEW PRODUCT

Notes: