



DESIGNER

Gregory Kay

BRAND

PureEdge Lighting

DESCRIPTION

The Radiant Medium 24VDC LED Track Head features a stealth flat-back cylinder design with a radiant heat sink that swivels 90 degrees vertically and 360 degrees horizontally. Offered in two powder paint finishes with a variety of color temperature options including Warm Dim (3000K-1800K). Integral 24VDC LED module and a reflector with Spot (SP) 20 degree, Narrow Flood (NF) 35 degree, Flood (FL) 45 degree, or Wide Flood (WF) 60 degree beam spread options. Reflector may be changed at the job site with optional optic reflector. Required track system sold separately (see track system for components). Compatible with TruTrack Recessed Track (TR24-1C, TR24-2C), Pipeline Systems including Modular Suspension, Pipeline Track Suspensions and Pipeline Stem Mount Wall/Display (PISDM, PT, PSTU2CR, PSTU2CR) and Surface Mount track (TS24-1C)



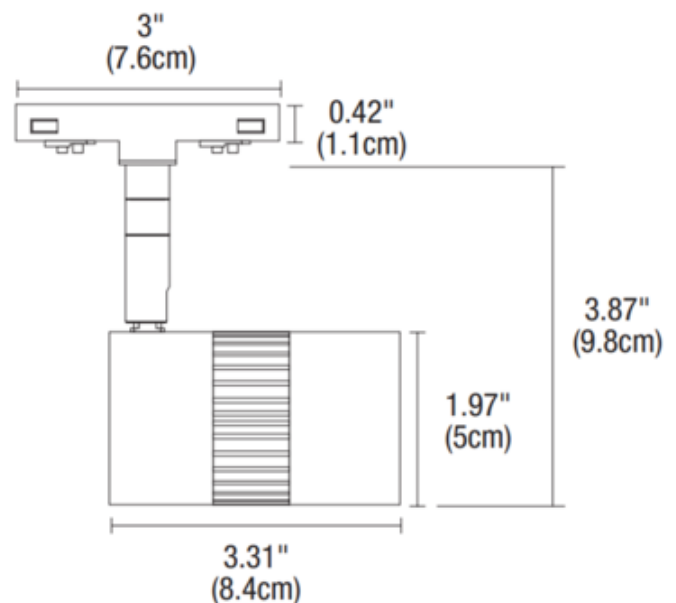
Shown in: Black

SHADE COLOR	N/A
BODY FINISH	Black
WATTAGE	11W
DIMMER	Low Voltage Electronic
DIMENSIONS	1.97"W x 4.63"H
INTEGRATED LED MODULE	
LAMP	1 x LED/11W/24V LED

Technical Information

LUMINOUS FLUX	628 lumens
LUMENS/WATT	57.09
LAMP COLOR	3000K Warm Dim
COLOR RENDERING	97 CRI
BEAM ANGLE	20°

SPEC # EDG780663



COMPANY	PROJECT	FIXTURE TYPE	APPROVED BY	DATE