



**DESIGNER**

Gregory Kay

**BRAND**

PureEdge Lighting

**DESCRIPTION**

The Tubo Small 24VDC LED Track Head features a stealth flat-back cylinder design with a radiant heat sink that swivels 90 degrees vertically and 360 degrees horizontally. Made of billet aluminum available in two sizes and two powder paint finishes with a variety of color temperature options including Warm Dim (3000K-1800K). Integral 24VDC LED module and a reflector with Narrow Spot (NS) 15 degree, Spot (SP) 25 degree, Narrow Flood (NF) 35 degree, Flood (FL) 45 degree, or Very Wide Flood (VWF) 75 degree beam spread options. Reflector may be changed at the job site. Required track system sold separately (see track system for components). Note: Warm Dim 30D not available in Narrow Spot (15 degree). Compatible with TruTrack Recessed Track (TR24-1C, TR24-2C), Pipeline Systems including Modular Suspension, Pipeline Track Suspensions and Pipeline Stem Mount Wall/Display (P1SDM, PT, PSTU2CR, PSTU2CR) and Surface Mount track (TS24-1C)



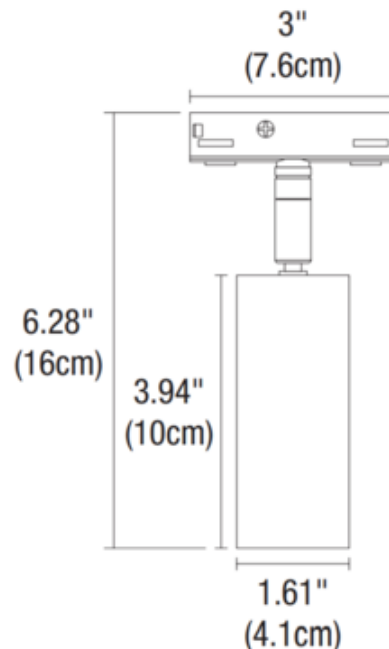
Shown in: Black

<b>SHADE COLOR</b>	N/A
<b>BODY FINISH</b>	Black
<b>WATTAGE</b>	9W
<b>DIMMER</b>	Low Voltage Electronic
<b>DIMENSIONS</b>	1.61"W x 6.28"H
<b>INTEGRATED LED MODULE</b>	
<b>LAMP</b>	1 x LED/9W/24V LED

*Technical Information*

<b>LUMINOUS FLUX</b>	494 lumens
<b>LUMENS/WATT</b>	54.89
<b>LAMP COLOR</b>	3000K
<b>COLOR RENDERING</b>	92 CRI
<b>BEAM ANGLE</b>	25°

**SPEC #** EDG780696



COMPANY

PROJECT

FIXTURE TYPE

APPROVED BY

DATE

---