



DESIGNER

Gregory Kay

BRAND

PureEdge Lighting

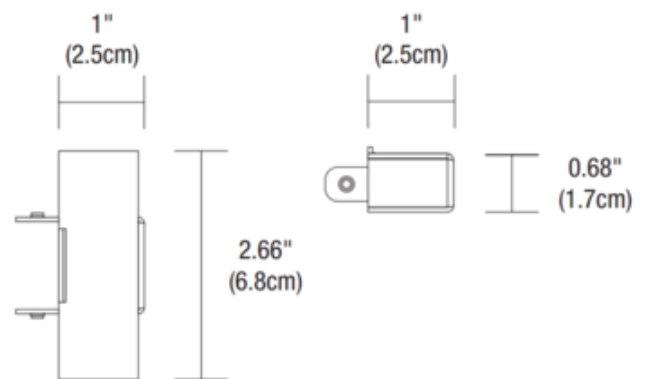
DESCRIPTION

TruTrack Dead End Cap needs to be ordered with each dead end of track. Can be used as a take up receptacle for extra Soft Strip. Designed for use with PureEdge Lighting TruTrack 24 volt 1-circuit recessed track, TruTrack Magnetic 24 volt 2-circuit recessed track, and TruTrack Dual Source 24 volt recessed track. Note: Required for each dead end of track.



Shown in: White

SHADE COLOR	N/A
BODY FINISH	White
WATTAGE	N/A
DIMMER	N/A
DIMENSIONS	2.66"W x 1"H
LAMP	N/A



SPEC #

EDG780706

COMPANY

PROJECT

FIXTURE TYPE

APPROVED BY

DATE