



DESIGNER

Michele De Lucchi

BRAND

Artemide

DESCRIPTION

The Ipno Suspension features an innovative optical unit that directs and concentrates light with a soft emission through its spiral patterned diffuser. The optical unit works according to a Total Internal Reflection (TIR) principle to direct the emission. It comes to life when light passes through the material, but only a minimum rate of light is emitted into the environment in a diffused and uncontrolled manner. Available with a sleek Black and Gold finish that will add elegance to any interior.



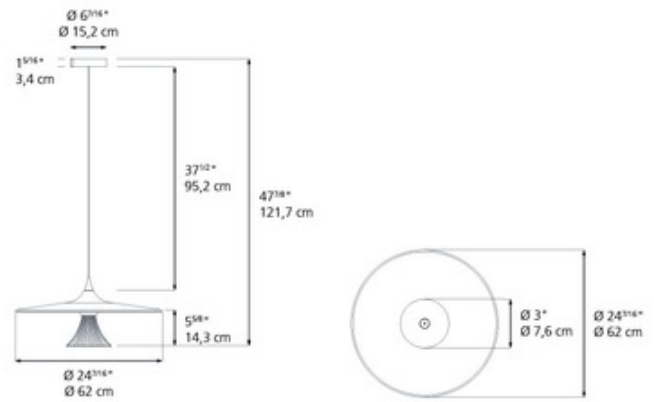
Shown in: Black

SHADE COLOR	N/A
BODY FINISH	Black
WATTAGE	27.4W
DIMMER	Low Voltage Electronic
DIMENSIONS	47.9"L x 24.6"W x 5.6"H
INTEGRATED LED MODULE	
LAMP	1 x LED/27.4W/120-277V LED

Technical Information

LUMINOUS FLUX	1163 lumens
LUMENS/WATT	42.45
LAMP COLOR	3000K
COLOR RENDERING	90 CRI

SPEC # ART782786



COMPANY	PROJECT	FIXTURE TYPE	APPROVED BY	DATE