

Lightology

lightology.com
866-954-4489
04-25-26

Project: _____
Company: _____
Location: _____ Fixture Type: _____
SPEC #: **GNL782843**
Approved On: _____ Approved By: _____

Angled Sphere Bubble Pendant By Herman Miller



Description

Nelson Bubble Lamps designed by George Nelson produced by Herman Miller. The Angled Sphere Bubble Pendant features a steel structure of gently angled lines bringing a unique, yet familiar shape into any interior. Available in three sizes. Includes a Brushed Nickel canopy and an adjustable cord. George Nelson first designed the Bubble Lamps in 1952 after coming across a Swedish hanging lamp that he wanted for his office. Challenged by the expensive price, he decided to make his own. Rediscovered from the George Nelson Foundation archives, the Nelson Angled Sphere Bubble Pendant was added to the series in 2018.

Specifications

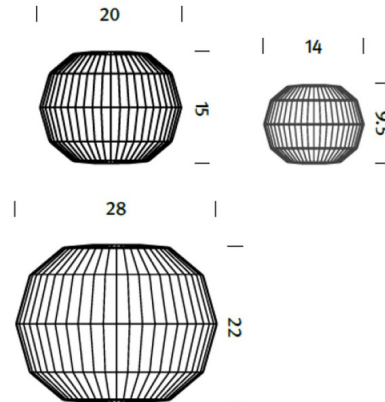
| | |
|--------------------|---|
| COLOR | White |
| BODY FINISH | Brushed Nickel |
| WATTAGE | 150W |
| DIMMER | Standard 120V |
| DIMENSIONS | 14"W x 9.5"H |
| BULB NOT INCLUDED | 1 x A19/Medium (E26)/150W/120V Incandescent |
| OTHER BULB OPTIONS | 1 x A19/Medium (E26)/120V LED |
| COUNTRY OF ORIGIN | United States |

Technical Information

| | |
|--------------------|------------------------|
| PRODUCT DIMENSIONS | Canopy: 5.25" diameter |
|--------------------|------------------------|



Shown in brushed nickel / white



CLICK TO VIEW PRODUCT

Notes: