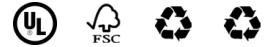


# Lightology

lightology.com  
866-954-4489  
07-06-26

Project: \_\_\_\_\_  
 Company: \_\_\_\_\_  
 Location: \_\_\_\_\_ Fixture Type: \_\_\_\_\_  
 SPEC #: **BZZ808948**  
 Approved On: \_\_\_\_\_ Approved By: \_\_\_\_\_

## BuzziHat Pendant By BuzziSpace



### Description

Designed by Alain Gilles, the BuzziHat Pendant offers a high recognizable silhouette equipped with excellent sound absorption capabilities. It features a hat-shape pendant that is composed of an upholstered foam upper body shade paired with a metal brim and complete with an accent ring. Available in four sizes with numerous upholstery options, choice of a Black, White, Beige Red, or Gold metal shade and choice of a Black White, Beige Red, or Gold ring. Suspended from a powder coated White ceiling canopy. UL and cUL listed.

### Specifications

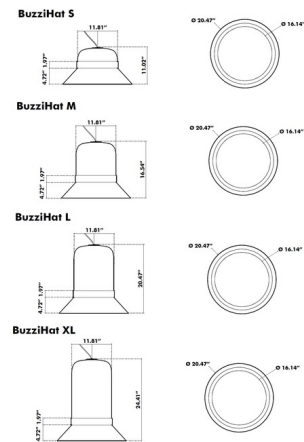
COLOR . . . . . Remix 2 682  
 BODY FINISH . . . . . Beige Red  
 WATTAGE . . . . . 19W  
 DIMMER . . . . . 0-10V  
 DIMENSIONS . . . . . 98.47"L x 20.47"W x 20.47"H  
 INTEGRATED LED MODULE . . . . . 1 x LED/19W/120V LED  
 COUNTRY OF ORIGIN . . . . . Netherlands

### Technical Information

COLOR RENDERING . . . . . 90 CRI  
 LAMP COLOR . . . . . 3000K  
 LUMENS/WATT . . . . . 105.26  
 LUMINOUS FLUX . . . . . 2000 lumens



Shown in beige red / remix 2 682



CLICK TO VIEW PRODUCT

Notes: