

# Lightology

lightology.com  
866-954-4489  
06-04-26

Project: \_\_\_\_\_

Company: \_\_\_\_\_

Location: \_\_\_\_\_ Fixture Type: \_\_\_\_\_

SPEC #: **KZC813206**

Approved On: \_\_\_\_\_ Approved By: \_\_\_\_\_

## Archibald Pendant By Kuzco Lighting



### Description

The Archibald Pendant adds a clean classic look to your interior space. The dome shaped shade casts warm shadows downward across your room.

### Specifications

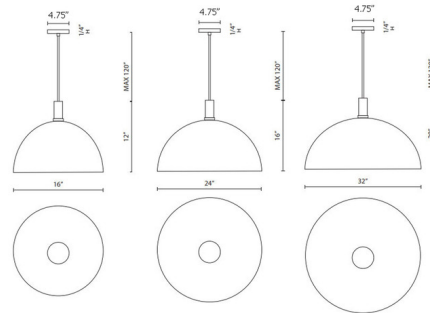
|                    |   |
|--------------------|---|
| COLOR              | N/A   |
| BODY FINISH        | Black   |
| WATTAGE            | 8W  |
| DIMMER             | Standard 120V   |
| DIMENSIONS         | 16"W x 12"H   |
| BULB NOT INCLUDED  | 1 x A19/Medium (E26)/8W/120V LED  |
| OTHER BULB OPTIONS | 1 x A19/Medium (E26)/120V LED<br>1 x A19/Medium (E26)/60W/120V Incandescent |

### Technical Information

|                    |                             |
|--------------------|-----------------------------|
| PRODUCT DIMENSIONS | Max Overall Height: 132.25" |
|--------------------|-----------------------------|



Shown in black



CLICK TO VIEW PRODUCT

Notes: