

Lightology

lightology.com
866-954-4489
04-24-26

Project: _____
 Company: _____
 Location: _____ Fixture Type: _____
 SPEC #: **KZC813491**
 Approved On: _____ Approved By: _____

Twist Pendant By Kuzco Lighting



Description

The Twist Pendant features extruded and rolled rectangular aluminum finished in Antique Silver, Antique Brass or Black with a flexible silicon rubber diffuser. Available in two sizes. ETL listed.

Specifications

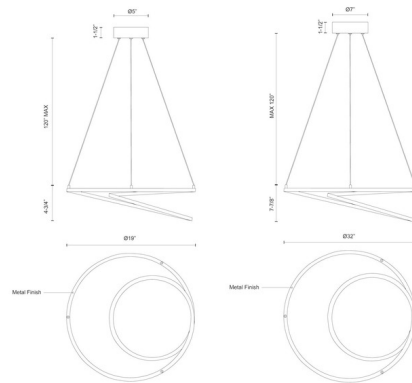
COLOR	White
BODY FINISH	Black
WATTAGE	27.5W
DIMMER	Low Voltage Electronic
DIMENSIONS	19"W x 4.75"H
INTEGRATED LED MODULE	1 x LED/27.5W/120V LED

Technical Information

PRODUCT DIMENSIONS	Max Overall Height: 144"
LAMP LIFE	50000 hours
COLOR RENDERING	90 CRI
LAMP COLOR	3000K
LUMENS/WATT	39.42
LUMINOUS FLUX	1084 lumens



Shown in black / white



CLICK TO VIEW PRODUCT

Notes: