

# Lightology

lightology.com  
866-954-4489  
04-25-26

Project: \_\_\_\_\_

Company: \_\_\_\_\_

Location: \_\_\_\_\_ Fixture Type: \_\_\_\_\_

SPEC #: **ET2813651**

Approved On: \_\_\_\_\_ Approved By: \_\_\_\_\_

## Abyss Pendant By Et2



### Description

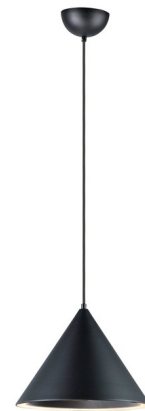
The Abyss Pendant is a classic cone pendant available in Matte Black or Matte White. Appearing typical from the outside but take on a different personality from below. These pendants are illuminated on the bottom perimeter creating a black abyss on the inside generating an interesting lighting effect. Hang as a statement piece over a task area or group to create an interesting effect. Available in two sizes. Includes field cuttable wire. Dimmable with LED compatible dimmer. Canopy: 4.74 inch diameter x 2.5 inch height. ETL listed.

### Specifications

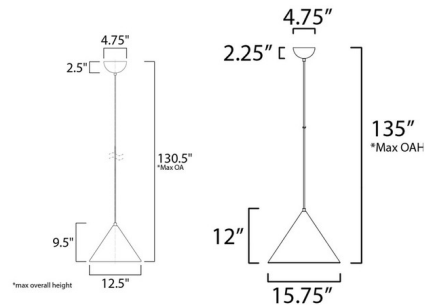
COLOR	N/A
BODY FINISH	Black
WATTAGE	30W
DIMMER	Low Voltage Electronic
DIMENSIONS	12.5"W x 9.5"H
INTEGRATED LED MODULE	1 x LED/30W/120V LED

### Technical Information

PRODUCT DIMENSIONS	Min/Max Overall Height: 13" - 130.5"
LAMP LIFE	50000 hours
COLOR RENDERING	80 CRI
LAMP COLOR	3000K
LUMENS/WATT	44.33
LUMINOUS FLUX	1330 lumens



Shown in black



CLICK TO VIEW PRODUCT

Notes: