

# Lightology

lightology.com  
866-954-4489  
07-10-26

Project: \_\_\_\_\_

Company: \_\_\_\_\_

Location: \_\_\_\_\_ Fixture Type: \_\_\_\_\_

SPEC #: **ET2813696**

Approved On: \_\_\_\_\_ Approved By: \_\_\_\_\_

## iCorona Flush Mount

By Et2



### Description

Meet the new standard in smart lighting, with the iCorona Flush Mount Ceiling Light. Encased inside a dual Matte White ring is a Philips Hue light engine that can change the color temperature, dim the lights, as well as a wide variety of programmable room scenes. All of this can be done from your phone, Amazon Echo, Apple Home Kit, and many other Zigbee protocol devices. Connect your Hue lights with the Hue Bridge (sold separately), download the Hue app, and start discovering endless possibilities. ETL listed. Red Dot Design Awards 2020

### Specifications

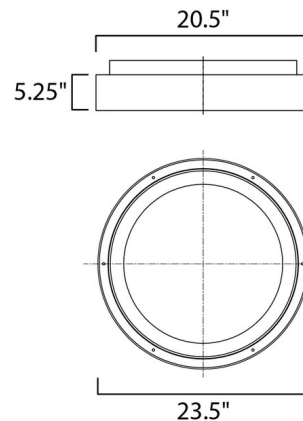
COLOR . . . . . N/A  
BODY FINISH . . . . . Matte White  
WATTAGE . . . . . 40W  
DIMMER . . . . . Dimmable  
DIMENSIONS . . . . . 23.5"W x 5.5"H  
INTEGRATED LED MODULE . . . . . 1 x LED/40W/120V LED

### Technical Information

LAMP LIFE . . . . . 50000 hours  
COLOR RENDERING . . . . . 90 CRI  
LAMP COLOR . . . . . CCT Select  
LUMENS/WATT . . . . . 70.00  
LUMINOUS FLUX . . . . . 2800 lumens



Shown in matte white



CLICK TO VIEW PRODUCT

Notes: