

Lightology

lightology.com
866-954-4489
06-04-26

Project: _____

Company: _____

Location: _____ Fixture Type: _____

SPEC #: **ET2813712**

Approved On: _____ Approved By: _____

LED Mirror By Et2



Description

The LED Mirror is an excellent addition to any home. Available in Brushed Aluminum or Anodized Bronze finish with thick acrylic edges and Round, Rectangular or Oval shape. This mirrors excels in top of the line quality, features and appearance. Adjustable brightness but also color temperature (3000/4500/6400) enhances the design of the room and other functional application. ADA compliant. ETL listed. Suitable for damp locations. Dimmable with Triac dimmer.

Specifications

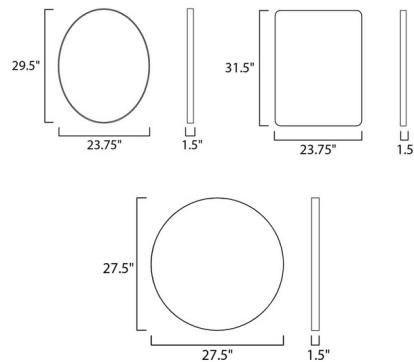
COLOR Mirror
BODY FINISH Brushed Aluminum
WATTAGE 22W
DIMMER Standard 120V
DIMENSIONS 23.75"W x 29.5"H x 1.5"D
INTEGRATED LED MODULE 1 x LED/22W/120V LED

Technical Information

LAMP LIFE 50000 hours
COLOR RENDERING 80 CRI
LAMP COLOR 3000K
LUMENS/WATT 70.00
LUMINOUS FLUX 1540 lumens



Shown in brushed aluminum / mirror



CLICK TO VIEW PRODUCT

Notes: