

# Lightology

lightology.com  
866-954-4489  
04-15-26

Project: \_\_\_\_\_

Company: \_\_\_\_\_

Location: \_\_\_\_\_ Fixture Type: \_\_\_\_\_

SPEC #: **MAX814036**

Approved On: \_\_\_\_\_ Approved By: \_\_\_\_\_

## Tucson Pulley Pendant By Maxim Lighting

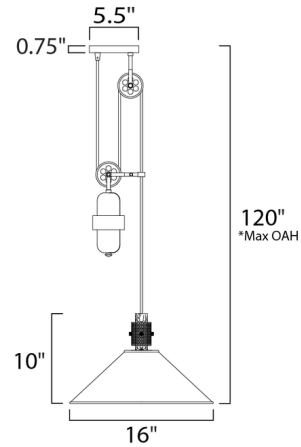


### Description

Tucson Pulley Pendant has an industrial feel that will fit in virtually any interior. The unique pulley system allows you to adjust the pendant to suit your space. Available with an Oil Rubbed Bronze finish with Antique Brass accents. Comes with 10 feet of cable. UL listed.



Shown in oil rubbed bronze



### Specifications

COLOR	N/A
BODY FINISH	Oil Rubbed Bronze
WATTAGE	8W
DIMMER	Standard 120V
DIMENSIONS	16"W x 10"H
BULB NOT INCLUDED	1 x A19/Medium (E26)/8W/120V LED
OTHER BULB OPTIONS	1 x A19/Medium (E26)/60W/120V Incandescent



CLICK TO VIEW PRODUCT

Notes: