

Lightology

lightology.com
866-954-4489
04-22-26

Project: _____

Company: _____

Location: _____ Fixture Type: _____

SPEC #: **ACC814242**

Approved On: _____ Approved By: _____

Prong LED Wall Sconce By Access

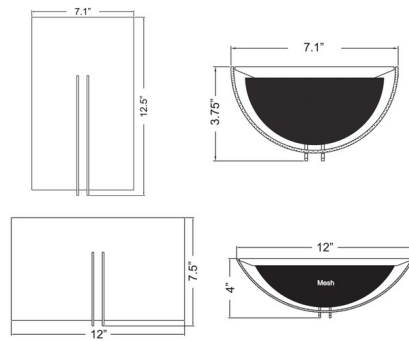


Description

The Prong LED Wall Sconce adds a clean, simple look to your interior space. The smooth glass diffuser is complemented by decorative steel bands. Suitable for commercial or residential use.



Shown in brushed steel / white



Specifications

COLOR White
BODY FINISH Brushed Steel
WATTAGE 20W
DIMMER Low Voltage Electronic
DIMENSIONS 7.1"W x 12.5"H x 3.75"D
BULB INCLUDED 2 x A19/Medium (E26)/10W/120V LED
COUNTRY OF ORIGIN China

Technical Information

LAMP COLOR 3000K
LUMENS/WATT 160.00
LUMINOUS FLUX 1600 lumens



CLICK TO VIEW PRODUCT

Notes: