

Lightology

lightology.com
866-954-4489
04-05-26

Project: _____
Company: _____
Location: _____ Fixture Type: _____
SPEC #: **AHM82624**
Approved On: _____ Approved By: _____

Anderson Pendant By Arteriors Home



Description

The Anderson Pendant offers a chic, versatile design featuring a hand hammered iron drum shade with a double diffuser suspended within with a perforated metal bottom to allow light to illuminate through.

Specifications

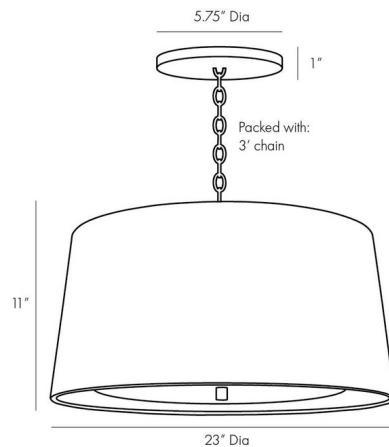
COLOR	N/A
BODY FINISH	Bronze
WATTAGE	120W
DIMMER	Standard 120V
DIMENSIONS	23"W x 11"H
BULB NOT INCLUDED	3 x A19/Medium (E26)/40W/120V Incandescent
OTHER BULB OPTIONS	3 x A19/Medium (E26)/120V LED

Technical Information

PRODUCT DIMENSIONS	Adjustable Chain length: 36"
--------------------	------------------------------



Shown in bronze



CLICK TO VIEW PRODUCT

Notes: