



**BRAND**

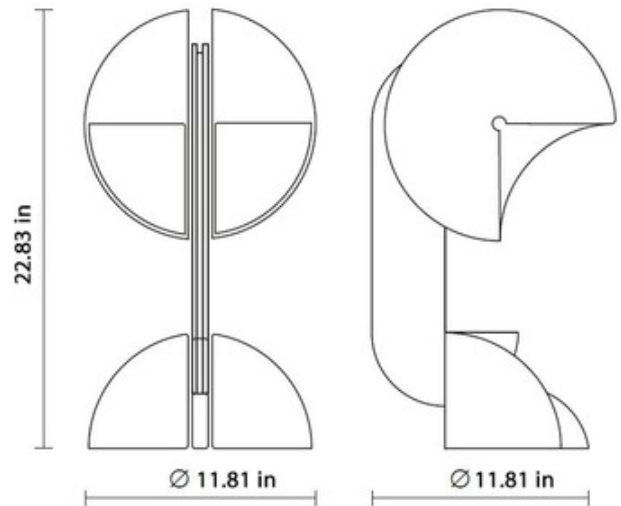
Martinelli Luce

**DESCRIPTION**

The Ruspa Table Lamp has a striking, modern presence featuring two reflector shades that rotate around the upper part of the arm, independent from each other to create a unique geometric form. Available finished in White lacquered metal. CE and cUL listed.



<b>SHADE COLOR</b>	N/A
<b>BODY FINISH</b>	White
<b>WATTAGE</b>	14W
<b>DIMMER</b>	Included
<b>DIMENSIONS</b>	11.81"W x 22.83"H
<b>BULB NOT INCLUDED</b>	
<b>LAMP</b>	2 x B10/Candelabra (E12)/7W/120V Compact Fluorescent



**SPEC #**

MRN828739

COMPANY

PROJECT

FIXTURE TYPE

APPROVED BY

DATE