



BRAND

Lucas + McKearn

DESCRIPTION

The Sun King Table Lamp offers a chic look that will be a beautiful addition to a number of interiors, featuring a striking sunburst composed of of Distressed Gold rods and Quartz tips, inspired by the St. Louis Cathedral, set in a matching finished stem and Clear glass table base, and topped with a Cream linen ovular shade.

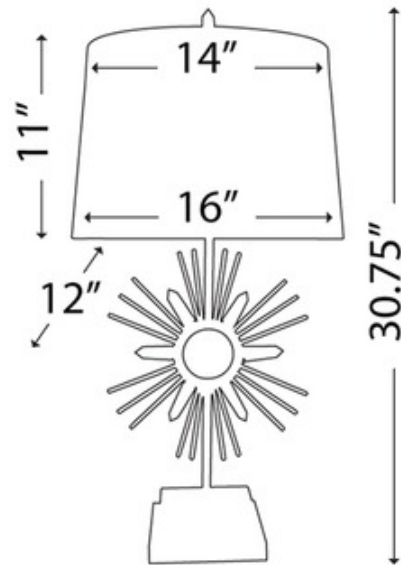


Shown in: Distressed Gold / Cream

SHADE COLOR	Cream
BODY FINISH	Distressed Gold
WATTAGE	100W
DIMMER	Included
DIMENSIONS	16"W x 30.75"H x 16"D
BULB NOT INCLUDED	
LAMP	1 x A19/Medium (E26)/100W/120V Incandescent 1 x A19/Medium (E26)/120V LED

SPEC #

LN830915



COMPANY

PROJECT

FIXTURE TYPE

APPROVED BY

DATE
