

Lightology

lightology.com
866-954-4489
04-22-26

Project: _____

Company: _____

Location: _____ Fixture Type: _____

SPEC #: **MAR833000**

Approved On: _____ Approved By: _____

Funiculi Fabric Shade Plug-in Wall Light By Marset



Description

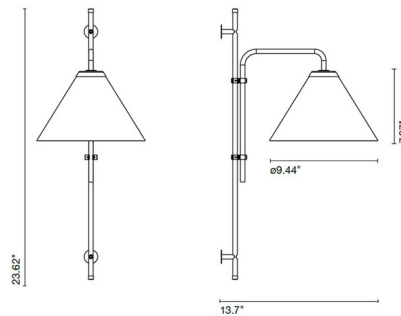
Funiculi Shade Plug-in Wall Light designed by Lluís Porqueras, is simplistic and functional, perfect in any room of your home. The mechanism for raising and lowering the lamp uses a pair of clips which make the height of the shade adaptable to any user's needs. On/Off switch is located on the cord.

Specifications

COLOR Sand
BODY FINISH Black
WATTAGE 5W
DIMMER N/A
DIMENSIONS 9.44"W x 23.6"H x 13.7"D
BULB NOT INCLUDED 1 x B10/Candelabra (E12)/5W/120V LED
COUNTRY OF ORIGIN Spain



Shown in black / sand



CLICK TO VIEW PRODUCT

Notes: