

Lightology

lightology.com
866-954-4489
07-08-26

Project: _____

Company: _____

Location: _____ Fixture Type: _____

SPEC #: **MFR833727**

Approved On: _____ Approved By: _____

Puck Ceiling / Wall Light Fixture By Modern Forms



Description

The Puck Flush Mount features an optically efficient acrylic diffuser with a Brushed Nickel plated metal frame. Available in two sizes. May be used on the wall or ceiling. Twist and lock installation. Universal voltage driver within fixture. Dimmable with a low voltage electronic or Triac dimmer, sold separately.

Specifications

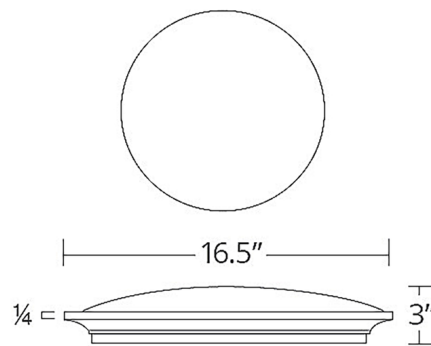
COLOR White
BODY FINISH Brushed Nickel
WATTAGE 27W
DIMMER Low Voltage Electronic
DIMENSIONS 16.5"W x 3"H
INTEGRATED LED MODULE 1 x LED/27W/120-277V LED
COUNTRY OF ORIGIN China

Technical Information

LAMP LIFE 59000 hours
COLOR RENDERING 90 CRI
LAMP COLOR 3500K
LUMENS/WATT 79.70
LUMINOUS FLUX 2152 lumens



Shown in brushed nickel / white



CLICK TO VIEW PRODUCT

Notes: