



BRAND

Contrast Lighting

DESCRIPTION

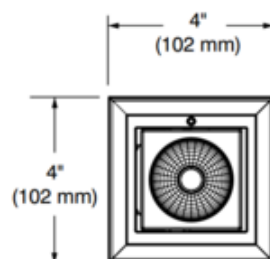
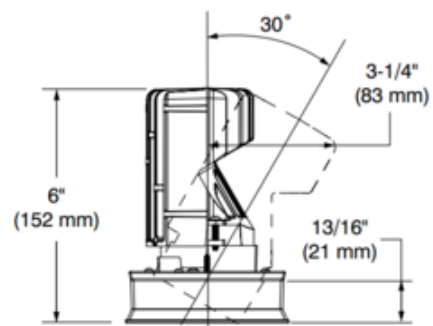
The Ardito A4SAR 4 Inch Series Square Adjustable Regressed Trim is a dimmable LED adjustable trim without flange. Can fit in ceilings up to 1.5 inch thick. 4.25 inch x 4.25 inch ceiling cutout. Includes clear lens. Available with 15, 32 or 40 degree optic system. Compatible with Ardito Performance 1 (14 watt up to 1450 lumens) or Ardito Performance 2 (23 watt up to 2050 lumens) housing with driver, sold separately. Dimmable with an electronic low voltage (120V only) or 0-10V (120-277 volt) dimmer, sold separately. See attached manufacturer specification for dimmer compatibility. A complete trimless fixture includes a trim and housing, sold separately. Trimless module requires a 6.5 inch clearance beyond the ceiling. Steel mud-in-plate (MIPA4S) for flangeless trim allows you to apply plaster up to Ardito fixture opening edges, sold separately.



TRIM COLOR	Clear
BODY FINISH	Matte White
WATTAGE	14W
DIMMER	Low Voltage Electronic
DIMENSIONS	4"W x 6"H
INTEGRATED LED MODULE	
LAMP	1 x LED/14W/120V LED

Technical Information

LUMINOUS FLUX	1309 lumens
LUMENS/WATT	93.50
LAMP COLOR	2700K
COLOR RENDERING	90 CRI
BEAM ANGLE	15°
LAMP LIFE	50000 hours
FUNCTION	Adjustable Accent
CEILING TYPE	Drywall Trimless/Flush
APERTURE SHAPE	Square
SPEC #	CLT834946



COMPANY

PROJECT

FIXTURE TYPE

APPROVED BY

DATE
