



**BRAND**

Contrast Lighting

**DESCRIPTION**

The Ardito A4SWW 4 Inch Series Square Flangeless Wall Wash Trim is a dimmable LED wall wash trim without flange. Features 54 degree beam angle. Includes frosted lens. Can fit in ceilings up to 1.5 inch thick. 4.25 inch x 4.25 inch ceiling cutout. Compatible with Ardito Performance 1 (14 watt/up to 1450 lumen) or Ardito Performance 2 (23 watt/up to 2050 lumen) housing with driver, sold separately. Dimmable with an electronic low voltage (120V only) or 0-10V (120-277 volt) dimmer, sold separately. See attached manufacturer specification for dimmer compatibility. A complete flangeless fixture includes a trim and housing, sold separately. Steel mud-in-plate (MIPA4S) for flangeless trim allows you to apply plaster up to Ardito fixture opening edges, sold separately. Trim module requires a 6.5 inch clearance beyond the ceiling.

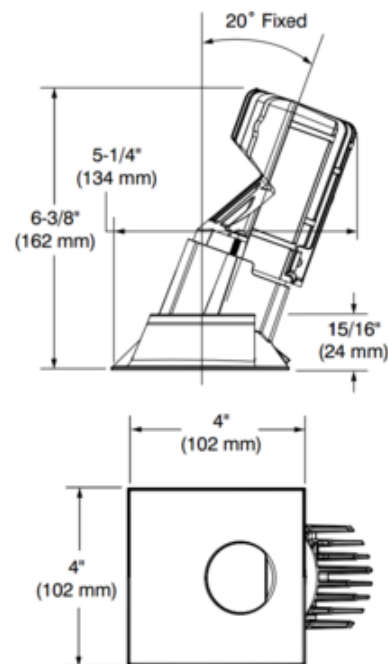


*Shown in: Matte White / Frosted*

<b>TRIM COLOR</b>	Frosted
<b>BODY FINISH</b>	Matte White
<b>WATTAGE</b>	14W
<b>DIMMER</b>	Low Voltage Electronic
<b>DIMENSIONS</b>	4"W x 6.38"H
<b>LAMP</b>	1 x LED/14W/120V LED 1 x LED/23W/120V LED

*Technical Information*

<b>LUMINOUS FLUX</b>	455 lumens
<b>LUMENS/WATT</b>	32.50
<b>LAMP COLOR</b>	2700 K
<b>COLOR RENDERING</b>	90 CRI
<b>BEAM ANGLE</b>	54°
<b>LAMP LIFE</b>	50000 hours
<b>FUNCTION</b>	Wall Washer
<b>CEILING TYPE</b>	Drywall Trimless/Flush
<b>APERTURE SHAPE</b>	Square
<b>ITEM NUMBER</b>	CLT835051



COMPANY

PROJECT

FIXTURE TYPE

APPROVED BY

DATE

---