

DESIGNER

Gio Ponti

BRAND

Gubi

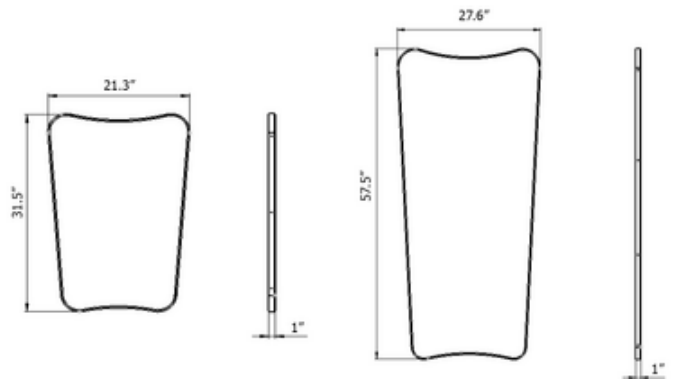
DESCRIPTION

The F.A. 33 Mirror was originally designed by Gio Ponti in 1933 for Fontana Arte and features an iconic, simplistic design with an elegant curving frame that encompasses a plain glass mirror.



Shown in: Polished Brass

COLOR	N/A
BODY FINISH	Polished Brass
WATTAGE	N/A
DIMMER	N/A
DIMENSIONS	21.3"W x 31.5"H x 1"D
LAMP	N/A



SPEC #

GUB849940

COMPANY

PROJECT

FIXTURE TYPE

APPROVED BY

DATE