

Lightology

lightology.com
866-954-4489
07-11-26

Project: _____

Company: _____

Location: _____ Fixture Type: _____

SPEC #: **RAB851828**

Approved On: _____ Approved By: _____

Campbell Table Lamp

By Robert Abbey

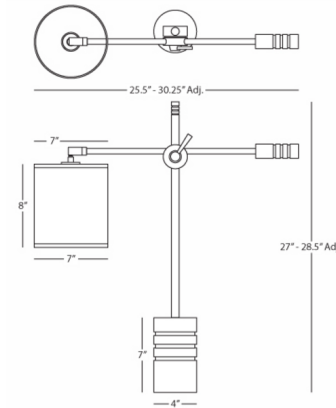


Description

The Campbell Table Lamp provides an elegant and contemporary look for your desk with its cylindrical shade and sleek metal body. The adjustable arm allows light to be aimed precisely where it is needed for reading or other tasks. Includes full range dimmer. UL listed.



Shown in polished nickel / black



Specifications

COLOR	Black
BODY FINISH	Polished Nickel
WATTAGE	100W
DIMMER	Included
DIMENSIONS	7"W x 27"H x 15"D
BULB NOT INCLUDED	1 x A19/Medium (E26)/100W/120V Incandescent
OTHER BULB OPTIONS	A19/Medium (E26)/120V LED
COUNTRY OF ORIGIN	China



CLICK TO VIEW PRODUCT

Notes: