

# Lightology

lightology.com  
866-954-4489  
05-24-26

Project: \_\_\_\_\_  
 Company: \_\_\_\_\_  
 Location: \_\_\_\_\_ Fixture Type: \_\_\_\_\_  
 SPEC #: **EMA861588**  
 Approved On: \_\_\_\_\_ Approved By: \_\_\_\_\_

## JCD G8 Bi-Pin Base 5W 120V 3000K 90CRI 2-Pack

By Emery Allen



### Description

The JCD G8 Bi-Pin Base 120 Volt LED retrofit lamp is an energy efficient alternative to incandescent G8 base lamps. Available in 4.5 and 5 watt options. 4.5 watt equivalent to 50 watt halogen; 5 watt equivalent to 60 watt halogen. Fully dimmable with most LED and incandescent dimmers. ETL listed for damp locations. Suitable for enclosed fixtures. Title 20 and Title 24/JA8 listed. Sold as a 2 pack.

### Specifications

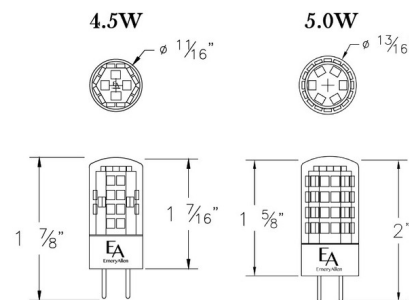
COLOR	White
BODY FINISH	N/A
WATTAGE	5W
DIMMER	Standard 120V
DIMENSIONS	0.75"W x 2"H
BULB	JCD/G8/5W/120V LED

### Technical Information

LAMP LIFE	25000 hours
BEAM ANGLE	360°
COLOR RENDERING	90 CRI
LAMP COLOR	3000K
LUMENS/WATT	109.00
LUMINOUS FLUX	545 lumens



Shown in white



CLICK TO VIEW PRODUCT

Notes: