

# Lightology

lightology.com  
866-954-4489  
06-04-26

Project: \_\_\_\_\_  
Company: \_\_\_\_\_  
Location: \_\_\_\_\_ Fixture Type: \_\_\_\_\_  
SPEC #: **BRC862193**  
Approved On: \_\_\_\_\_ Approved By: \_\_\_\_\_

## Delfina Pendant By Bruck



### Description

The Delfina Pendant is a work of art for your living space. A two sided wood veneer section is fused with a malleable center panel for strength and flexibility. It has an intricate design that is lined with Ash. Bruck's WEP (Wood Ecological Project) collection specializes in sustainable, natural wood luminaires. Every made to order fixture's unique character is nothing short of art. WEPlight solutions help cultivate a serene environment in any space. Designed, handcrafted, and painted by master artisans with reconstructed real wood veneer from Spain and assembled in the USA. Ships fully assembled.

### Specifications

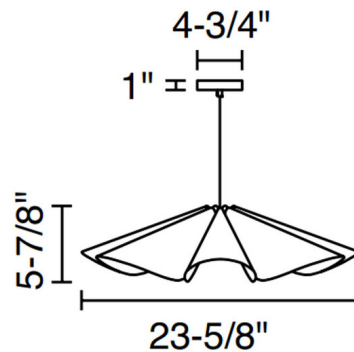
COLOR . . . . . Ebony / Ash  
BODY FINISH . . . . . Black  
WATTAGE . . . . . 100W  
DIMMER . . . . . Standard 120V  
DIMENSIONS . . . . . 23.6"W x 5.9"H  
BULB NOT INCLUDED . . . . . 1 x A19/Medium (E26)/100W/120V Incandescent  
OTHER BULB OPTIONS . . . . . 1 x A19/Medium (E26)/120V LED  
COUNTRY OF ORIGIN . . . . . Spain

### Technical Information

PRODUCT DIMENSIONS . . . . . Adjustable Cable Length: 108"



Shown in black / ebony / ash



CLICK TO VIEW PRODUCT

Notes: