

Lightology

lightology.com
866-954-4489
04-04-26

Project: _____

Company: _____

Location: _____ Fixture Type: _____

SPEC #: **AER870030**

Approved On: _____ Approved By: _____

ABF-G15 Exhaust Fan

By Aero Pure

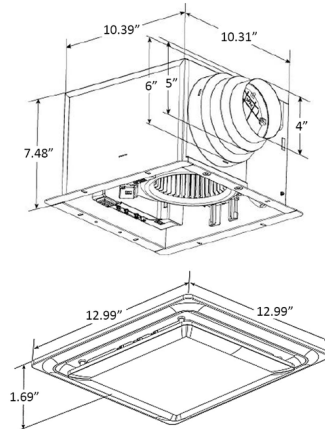


Description

The quiet, energy-efficient ABF-G15 Exhaust Fan is an IC-rated bath fan suitable for new construction or remodel applications. Its contemporary square-on-square grille offers design flexibility, working well with any interior style. The fan has rust-proof steel motor housing, a built-in backdraft damper and thermal shutoff. It fits with 2 x 8 inch joists, and includes articulating expandable anti-vibration brackets and a connector for 4, 5 or 6 inch ducts. UL listed for use in a tub or shower enclosure when GFCI-protected.



Shown in white



Specifications

| | |
|-------------------|----------------------------|
| COLOR | N/A |
| BODY FINISH | White |
| WATTAGE | N/A |
| DIMMER | N/A |
| DIMENSIONS | 10.39"W x 7.48"H x 10.31"D |
| BULB | N/A |
| COUNTRY OF ORIGIN | China |



CLICK TO VIEW PRODUCT

Notes: