

# Lightology

lightology.com  
866-954-4489  
04-04-26

Project: \_\_\_\_\_

Company: \_\_\_\_\_

Location: \_\_\_\_\_ Fixture Type: \_\_\_\_\_

SPEC #: **AER870033**

Approved On: \_\_\_\_\_ Approved By: \_\_\_\_\_

## ABF-G16 Exhaust Fan

By Aero Pure

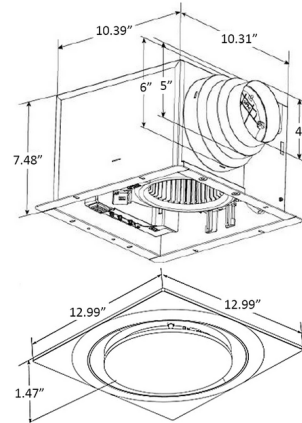


### Description

The quiet, energy-efficient ABF-G16 Exhaust Fan is an IC-rated bath fan suitable for new construction or remodel applications. Its simple round-on-square grille and range of designer finishes offer design flexibility, working well with any interior style. The fan has rust-proof steel motor housing, a built-in backdraft damper and thermal shutoff. It fits with 2 x 8 inch joists, and includes articulating expandable anti-vibration brackets and a connector for 4, 5 or 6 inch ducts. UL listed for use in a tub or shower enclosure when GFCI-protected.



Shown in white



### Specifications

COLOR . . . . .	N/A
BODY FINISH . . . . .	White
WATTAGE . . . . .	N/A
DIMMER . . . . .	N/A
DIMENSIONS . . . . .	10.39"W x 7.48"H x 10.31"D
BULB . . . . .	N/A
COUNTRY OF ORIGIN . . . . .	China



CLICK TO VIEW PRODUCT

Notes: