

Lightology

lightology.com
866-954-4489
05-22-26

Project: _____

Company: _____

Location: _____ Fixture Type: _____

SPEC #: **AER870039**

Approved On: _____ Approved By: _____

ABF-G16 Exhaust Fan

By Aero Pure

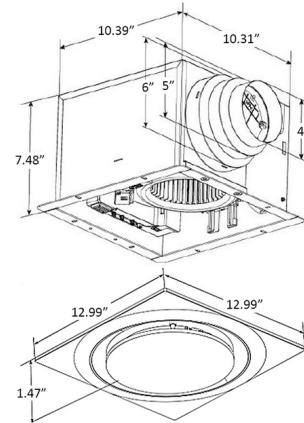


Description

The quiet, energy-efficient ABF-G16 Exhaust Fan is an IC-rated bath fan suitable for new construction or remodel applications. Its simple round-on-square grille and range of designer finishes offer design flexibility, working well with any interior style. The fan has rust-proof steel motor housing, a built-in backdraft damper and thermal shutoff. It fits with 2 x 8 inch joists, and includes articulating expandable anti-vibration brackets and a connector for 4, 5 or 6 inch ducts. UL listed for use in a tub or shower enclosure when GFCI-protected.



Shown in white



Specifications

COLOR	N/A
BODY FINISH	White
WATTAGE	N/A
DIMMER	N/A
DIMENSIONS	10.39"W x 7.48"H x 10.31"D
BULB	N/A
COUNTRY OF ORIGIN	China



CLICK TO VIEW PRODUCT

Notes: