



**BRAND**

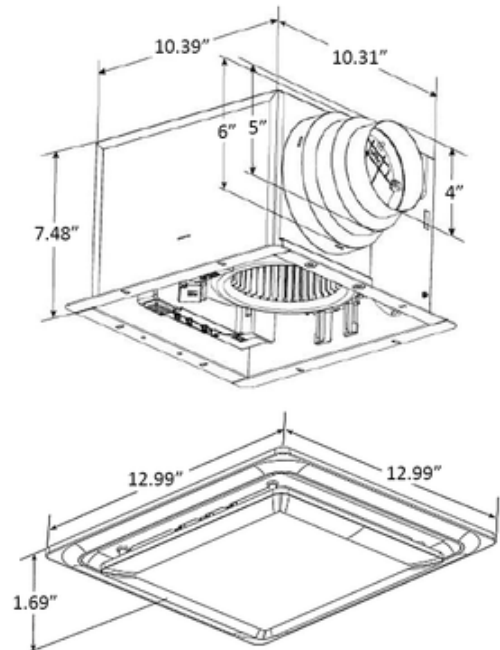
Aero Pure

**DESCRIPTION**

The quiet ABF G5 Multi Speed Exhaust Fan with Humidity and Motion Sensor is an IC-rated bath fan suitable for new construction or remodel applications. Its contemporary square grille works well in a range of interior styles. Airflow is achieved through an energy-efficient brushless DC motor. A high flow speed of 50, 80, or 110 CFM and a continuous lower speed can be set using switches in the fixture. The humidity sensor can activate high airflow when humidity rises above a level set by the user (50-100%), and a motion sensor activates the fan when someone enters the room. The fan has rust-proof steel motor housing, a built-in backdraft damper and thermal shutoff. It fits in 2 x 8 inch construction, and includes articulating expandable anti-vibration brackets and a connector for 4, 5 or 6 inch ducts. ETL listed for use in a tub or shower enclosure when GFCI-protected.



SHADE COLOR	N/A
BODY FINISH	White
WATTAGE	N/A
DIMMER	N/A
DIMENSIONS	10.39"W x 7.48"H x 10.31"D
LAMP	N/A



SPEC # AER870049

COMPANY	PROJECT	FIXTURE TYPE	APPROVED BY	DATE