



BRAND

Progress Lighting

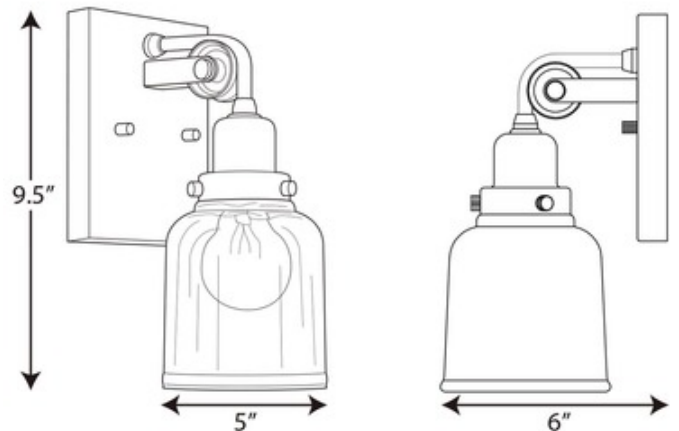
DESCRIPTION

The Rushton Wall Sconce is a modern mixture of old and new. The antique styling makes it ideal for industrial and farmhouse decors. The backplate supports the charming pulley wheel which holds the antique-style socket. A Clear glass shade highlights the bulb for an extra pinch of vintage taste. Choose from all Brushed Nickel finish or Graphite with Antique Brass details. Ideally suited for a vintage style bulb. cULus listed. Suitable for damp locations.



Shown in: Brushed Nickel / Clear

SHADE COLOR	Clear
BODY FINISH	Brushed Nickel
WATTAGE	60W
DIMMER	Standard 120V
DIMENSIONS	5"W x 9.5"H x 6"D
BULB NOT INCLUDED	
LAMP	1 x Edison/Medium (E26)/60W/120V Incandescent 1 x Edison/Medium (E26)/120V LED



SPEC # PGS871583

COMPANY	PROJECT	FIXTURE TYPE	APPROVED BY	DATE