



BRAND

Progress Lighting

DESCRIPTION

The Mast Pendant has a clean and modern design. An alliance of Etched and Clear glass shades give a soft, opulent appearance. Ideal for bedrooms, bathrooms, hallways or kitchen. Hang several over a kitchen island for added light and appeal. Choose from Brushed Nickel or Antique Bronze finish. Maximum overall height: 80 inches. cULus listed.



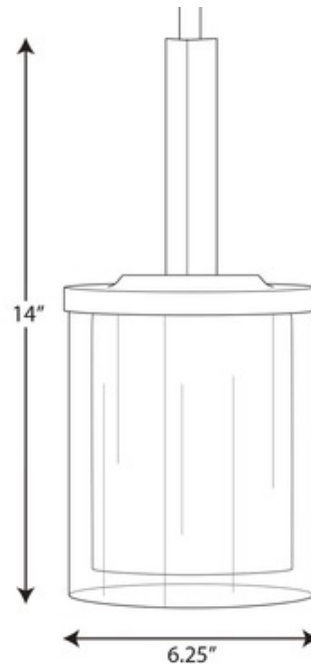
Shown in: Brushed Nickel / Etched Glass

SHADE COLOR	Etched Glass
BODY FINISH	Brushed Nickel
WATTAGE	100W
DIMMER	Standard 120V
DIMENSIONS	6.25"W x 14"H
BULB NOT INCLUDED	
LAMP	1 x A19/Medium (E26)/100W/120V Incandescent 1 x A19/Medium (E26)/120V LED

Technical Information

PRODUCT DIMENSIONS Downrods: One 6" and Four 12" Included

SPEC # PGS871641



COMPANY	PROJECT	FIXTURE TYPE	APPROVED BY	DATE