

Lightology

lightology.com
866-954-4489
04-28-26

Project: _____
Company: _____
Location: _____ Fixture Type: _____
SPEC #: **PGS871647**
Approved On: _____ Approved By: _____

Englewood Post Mount By Progress Lighting

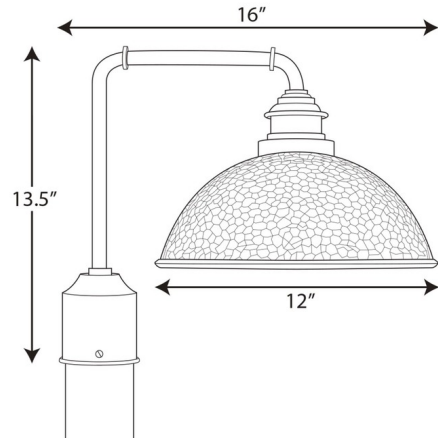


Description

The Englewood Post Mount will let you extend your evening in your favorite outdoor space. This one light outdoor fixture has a pipe-like arm that holds the hammered-textured shade accented by the copper interior. AFits a standard three inch post, sold separately. CSA listed. Suitable for wet locations.



Shown in black



Specifications

COLOR	N/A
BODY FINISH	Black
WATTAGE	100W
DIMMER	Standard 120V
DIMENSIONS	16"W x 13.44"H x 12"D
BULB NOT INCLUDED	1 x Edison/Medium (E26)/100W/120V Incandescent
OTHER BULB OPTIONS	1 x Edison/Medium (E26)/120V LED
COUNTRY OF ORIGIN	China



CLICK TO VIEW PRODUCT

Notes: