

# Lightology

lightology.com  
866-954-4489  
04-25-26

Project: \_\_\_\_\_

Company: \_\_\_\_\_

Location: \_\_\_\_\_ Fixture Type: \_\_\_\_\_

SPEC #: **ET2871984**

Approved On: \_\_\_\_\_ Approved By: \_\_\_\_\_

## Rinkle Linear Multi Light Pendant

By Et2



### Description

The Rinkle Linear Multi Light Pendant adds a clean beauty to your interior space. Features a sheet of Clear Patterned Acrylic that is formed by hand to create this unique lighting sculpture. Each one is unique, and the finished product will vary. Illuminated by an LED strip on top so the pattern in the acrylic picks up the light for visibility. Sloped ceiling compatible to 70 degrees. Best Chandelier and Pendant Market Choice Award 2019 Best New Collection 2019, Florida Design Magazine Product Award Accolade 2019, HFN Best of BDNY Product Design Competition 2019 LIT Lighting Design Awards 2019

### Specifications

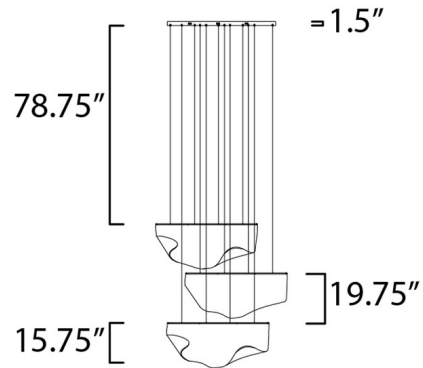
COLOR . . . . . Clear Patterned Acrylic  
 BODY FINISH . . . . . Polished Chrome  
 WATTAGE . . . . . 36W  
 DIMMER . . . . . Low Voltage Electronic  
 DIMENSIONS . . . . . 50.5"L x 14.25"W x 15.75"H  
 INTEGRATED LED MODULE . . . . . 3 x LED/12W/120V LED

### Technical Information

PRODUCT DIMENSIONS . . . . . Min/Max Overall Height: 19.25" – 135.5"  
 LAMP LIFE . . . . . 50000 hours  
 COLOR RENDERING . . . . . 90 CRI  
 LAMP COLOR . . . . . 3000K  
 LUMENS/WATT . . . . . 145.83  
 LUMINOUS FLUX . . . . . 1750 lumens



Shown in polished chrome / clear patterned acrylic



CLICK TO VIEW PRODUCT

Notes: