

# Lightology

lightology.com  
866-954-4489  
06-24-26

Project: \_\_\_\_\_

Company: \_\_\_\_\_

Location: \_\_\_\_\_ Fixture Type: \_\_\_\_\_

SPEC #: **ET2871992**

Approved On: \_\_\_\_\_ Approved By: \_\_\_\_\_

## Soji Large Pendant By Et2



### Description

The Soji Large Pendant features a Satin White Glass shade suspended from a round canopy with a Gold finish and Black accents.

### Specifications

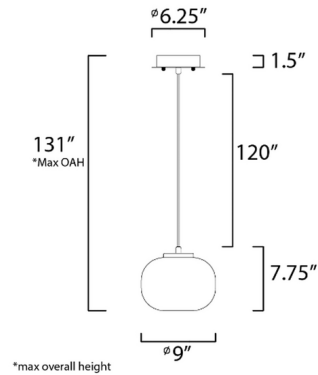
COLOR . . . . . Satin White  
BODY FINISH . . . . . Black / Gold  
WATTAGE . . . . . 8W  
DIMMER . . . . . Standard 120V  
DIMENSIONS . . . . . 9"W x 7.5"H  
BULB INCLUDED . . . . . 2 x JCD/G9/4W/120V LED

### Technical Information

PRODUCT DIMENSIONS . . . . . Overall Height: 10.5in Min. - 131in Max.  
LAMP LIFE . . . . . 20000 hours  
COLOR RENDERING . . . . . 80 CRI  
LAMP COLOR . . . . . 3000K  
LUMENS/WATT . . . . . 240.00  
LUMINOUS FLUX . . . . . 960 lumens



Shown in black / gold / satin white



CLICK TO VIEW PRODUCT

Notes: