



BRAND

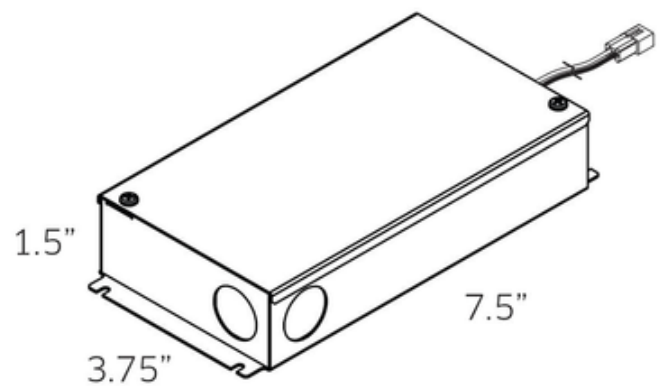
DALS Lighting

DESCRIPTION

The 36 Watt 12 Volt DC Dimmable LED Hardwire Driver is a constant voltage mode power supply. Integrated junction box for hardwire installation. ETL listed. Optimal dimming when used at 50 percent or more of total load. Input voltage: 100VAC-230VAC, 50/60Hz. Output voltage: 12V DC. Dimmable with a Triac or electronic low voltage (ELV) dimmer. Recommended dimmers: Leviton DSM10, Lutron CTCL-153P, Lutron DVCL-153P, Lutron DVLV600P, Lutron MACL-153M.



SHADE COLOR	N/A
BODY FINISH	White
WATTAGE	36W
DIMMER	Low Voltage Electronic
DIMENSIONS	7.5"L x 3.75"W x 1.5"H
BULB NOT INCLUDED	
LAMP	LED/36W/12V LED



SPEC # DLS881432

COMPANY	PROJECT	FIXTURE TYPE	APPROVED BY	DATE