



BRAND

DALS Lighting

DESCRIPTION

The 4 inch round aluminum retrofit LED panel offers the easiest and most practical solution to your existing lighting needs. The removable outer trim attaches with magnetic fasteners to create a seamless look. Can be easily retrofitted in existing 4 inch housings or standard octagonal junction boxes. Available in White, Black or Satin Nickel finish. Includes spring clips, mounting hardware and integrated LED module. Energy Star. ETL listed. Dimmable with most dimmers, sold separately.



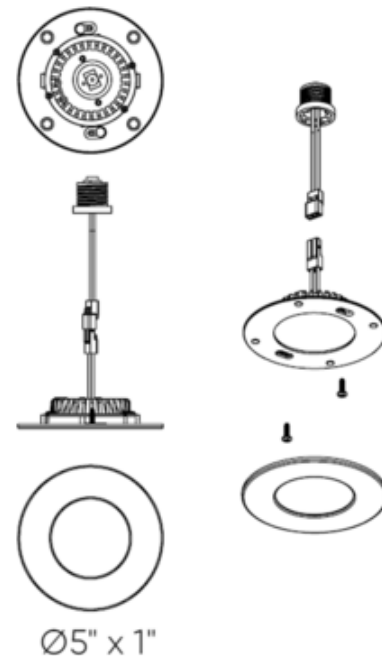
Shown in: White

TRIM COLOR	N/A
BODY FINISH	White
WATTAGE	9W
DIMMER	Standard 120V
DIMENSIONS	5"W x 1"H
INTEGRATED LED MODULE	
LAMP	1 x LED/9W/120V LED

Technical Information

LUMINOUS FLUX	550 lumens
LUMENS/WATT	61.11
LAMP COLOR	3000K
COLOR RENDERING	90 CRI
LAMP LIFE	50000 hours
FUNCTION	Downlight
CEILING TYPE	Drywall with Trim
APERTURE SHAPE	Round

SPEC #	DLS881485
---------------	-----------



COMPANY	PROJECT	FIXTURE TYPE	APPROVED BY	DATE