

Lightology

lightology.com
866-954-4489
04-23-26

Project: _____
 Company: _____
 Location: _____ Fixture Type: _____
 SPEC #: **HMR883466**
 Approved On: _____ Approved By: _____

Gem Two Tier Radial Ring Chandelier By Hammerton Studio



Description

The Gem Two Tier Radial Ring Chandelier is jewelry for your home. Features gems of LED lit hand blown glass that are meticulously crafted by Hammerton artisans. The fixture gives a nod to an organic aesthetic that exudes casual sophistication. Each shade takes the place of a traditional bulb and unfolds with striking illumination. The finished look is relaxed, soft and unique. Each glass shade is a one of a kind artisan creation. Canopy: 10.5 inch diameter. Note: Due to the weight of this fixture, additional ceiling support is required.

Specifications

COLOR	Amber
BODY FINISH	Matte Black
WATTAGE	90W
DIMMER	Low Voltage Electronic
DIMENSIONS	48.3"W x 42"H
INTEGRATED LED MODULE	40 x LED/2.25W/120V LED

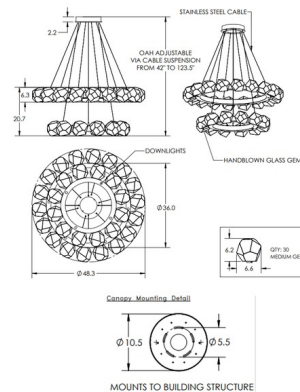
Technical Information

COLOR RENDERING	93 CRI
LAMP COLOR	2700K
LUMENS/WATT	2,817.78
LUMINOUS FLUX	6340 lumens

Notes:



Shown in matte black / amber



CLICK TO VIEW PRODUCT