

Lightology

lightology.com
866-954-4489
05-28-26

Project: _____
Company: _____
Location: _____ Fixture Type: _____
SPEC #: **OBT888959**
Approved On: _____ Approved By: _____

Hector Pleat Plug-in Wall Sconce By Original BTC



Description

The Hector Pleat Plug-in Wall Sconce is a British design classic in Natural White bone china pleated shade. Head can adjust to direct light where you need it. Comes with a 98.4 inch cord and plug. 13.7 inches from base to the on/off switch. Made in the UK. UL listed.

Specifications

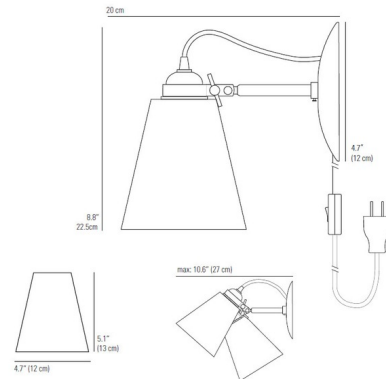
COLOR Natural White
BODY FINISH Brushed Steel
WATTAGE 40W
DIMMER Standard 120V
DIMENSIONS 4.75"W x 8.8"H x 7.8"D
BULB NOT INCLUDED 1 x A19/Medium (E26)/40W/120V Incandescent
COUNTRY OF ORIGIN United Kingdom

Technical Information

PRODUCT DIMENSIONS Backplate: 4.7" Dia.



Shown in brushed steel / natural white



CLICK TO VIEW PRODUCT

Notes: